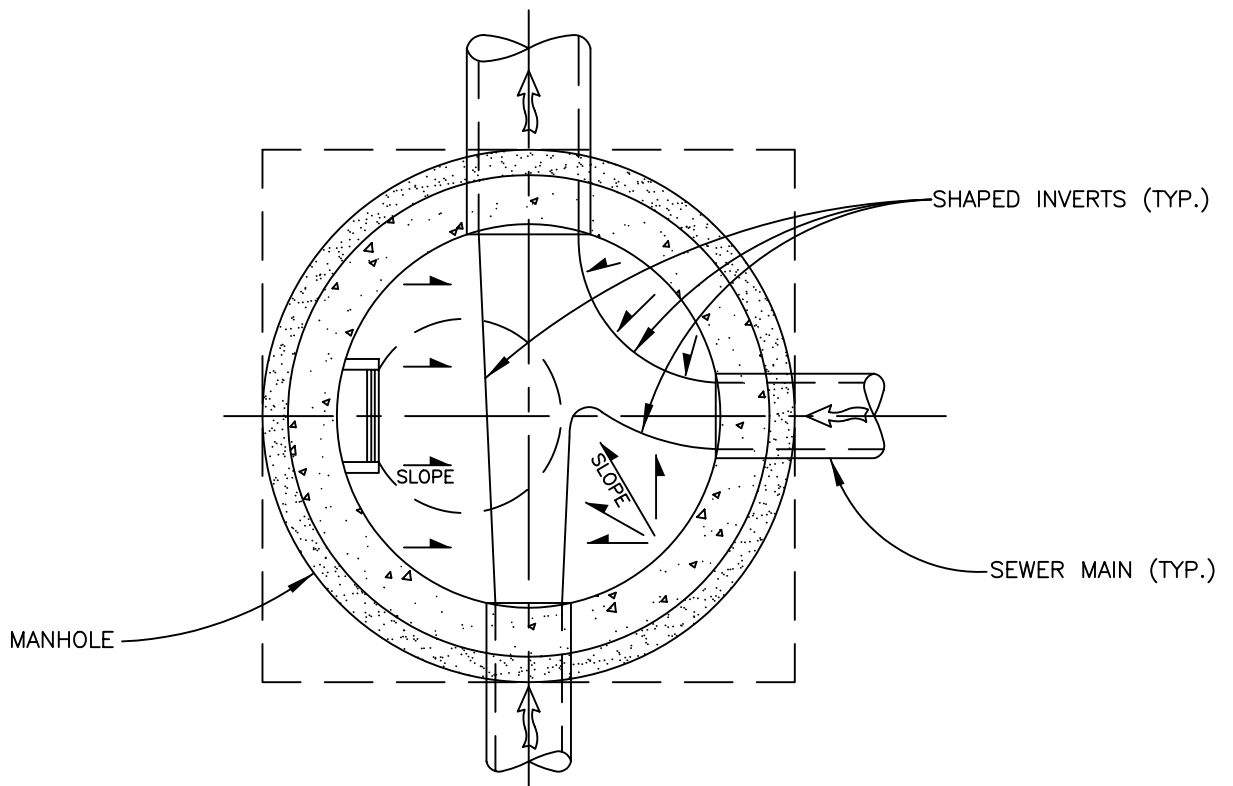


CHANGE IN PIPE SIZE



JUNCTION MANHOLE OR ALIGNMENT CHANGE

REVISIONS:
 6/7/00
 8/1/02

**SOUTH ADAMS COUNTY
 WATER AND SANITATION DISTRICT**

MANHOLE INVERTS

S-6