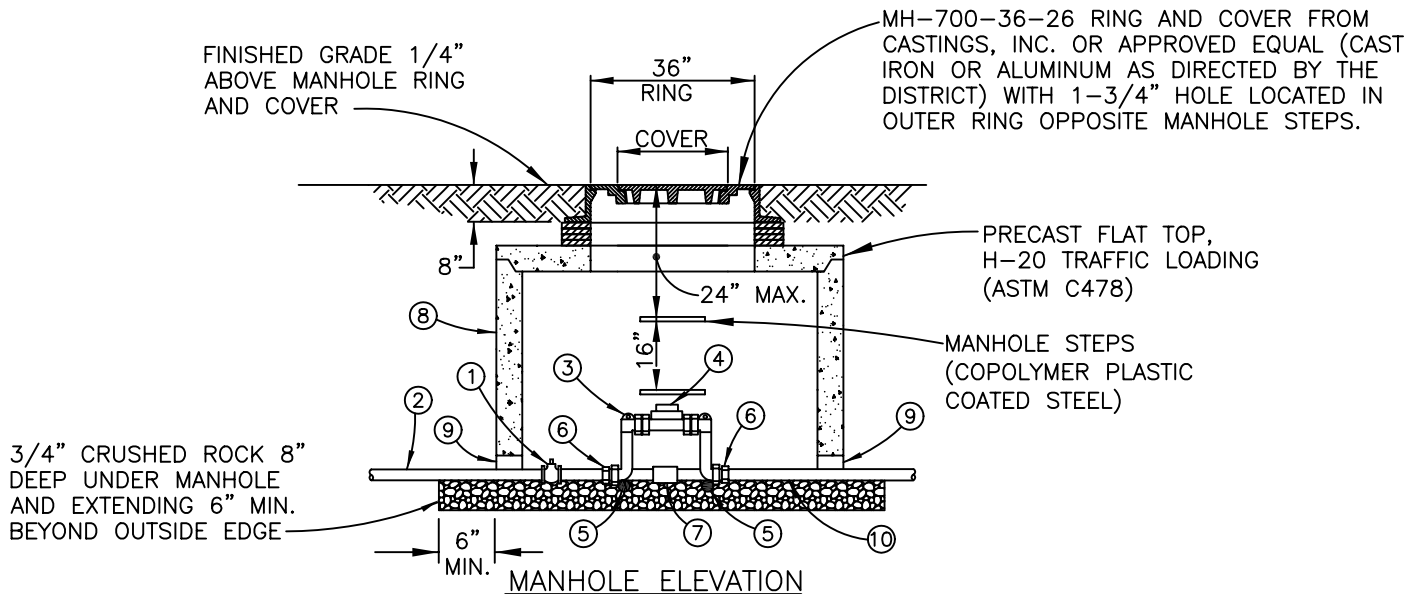


MANHOLE PLAN
N.T.S.



NOTES:

1. NO CONNECTIONS OR CHANGES IN PIPE DIAMETER SHALL BE MADE IN THE METER PIT OR WITHIN FIVE FEET FROM THE MANHOLE ON THE OUTLET SIDE.
2. BACKFLOW PREVENTION DEVICE DOWNSTREAM FROM MANHOLE SHALL BE IN ACCORDANCE WITH THE DISTRICT'S "CROSS-CONNECTION CONTROL AND BACKFLOW CONTROL POLICY AND REGULATIONS" (IRRIGATION SERVICES).
3. TRACER WIRE SHALL BE TERMINATED IN EACH METER MANHOLE BY WRAPPING THE WIRE THREE TIMES AROUND THE METER SETTER.

COMPONENTS:

- ① CURB STOP VALVE
- ② CLASS 200 CTS POLYETHYLENE RATED FOR POTABLE WATER SERVICE.
- ③ 15" HIGH METER SETTER (YOKE)
- ④ SENSUS OR NEPTUNE DISPLACEMENT TYPE MAGNETIC DRIVE METER.
- ⑤ 1" X 18" STABILIZING PIPE.
- ⑥ MIP X CTS COMPRESSION COUPLING ON INLET AND OUTLET SIDE OF COPPERSETTER.
- ⑦ 1" BYPASS FOR 1-1/2" SETTERS, 1-1/2" OR 1-1/4" BYPASS FOR 2" SETTERS. BYPASS SHALL INCLUDE BALL VALVE WITH LOCKING WINGS.
- ⑧ 4' I.D. CONCRETE MANHOLE FOR 1-1/2" SERVICES, 5' I.D. CONCRETE MANHOLE FOR 2" SERVICES (ASTM C478).
- ⑨ KNOCKOUTS SHALL BE PERMANENTLY SEALED WITH GROUT.
- ⑩ STRAIGHT DUAL CHECK VALVE (IRRIGATION SERVICES ONLY).

REVISIONS:

2/1/01
11/18/02

**SOUTH ADAMS COUNTY
WATER AND SANITATION DISTRICT**

W-8

1-1/2" THROUGH 2" METER MANHOLE